

ECOTIP

ECOFIL



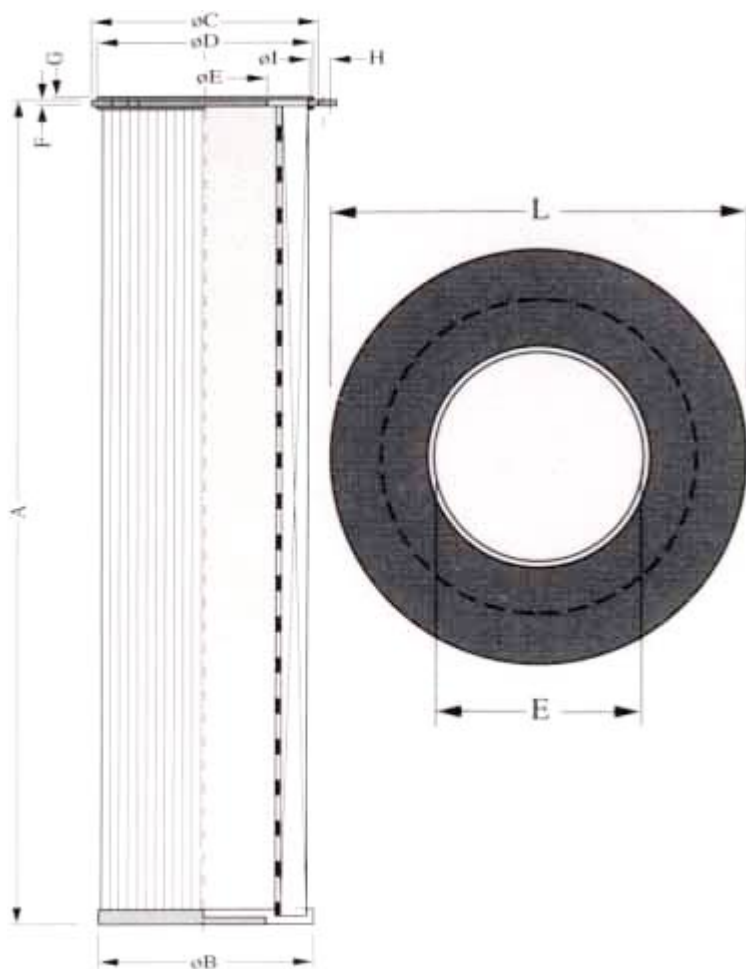
PRODUCTS:

Ecofil pleated products are manufactured from range of non-woven filter media that perform well in many different filter environments. To further enhance the performance of these media, they can be supplied with special chemical dispersions providing oleophobic and hydrophobic properties. Anti-static media are available to give protection against explosion and PTFE laminated surface media are available which allow almost zero emissions. For gas turbine applications we offer blended cellulose pleated products.

ECOFIL Pleat Poly Filter (Type 1)



Ecofil Pleat Poly Filter cartridges are adapted to suit the filtration application in question and are used in many different applications (pharmaceutical, fume, blasting, grinding, powder etc.) Ecofil Pleat Poly Filters have the following advantages.

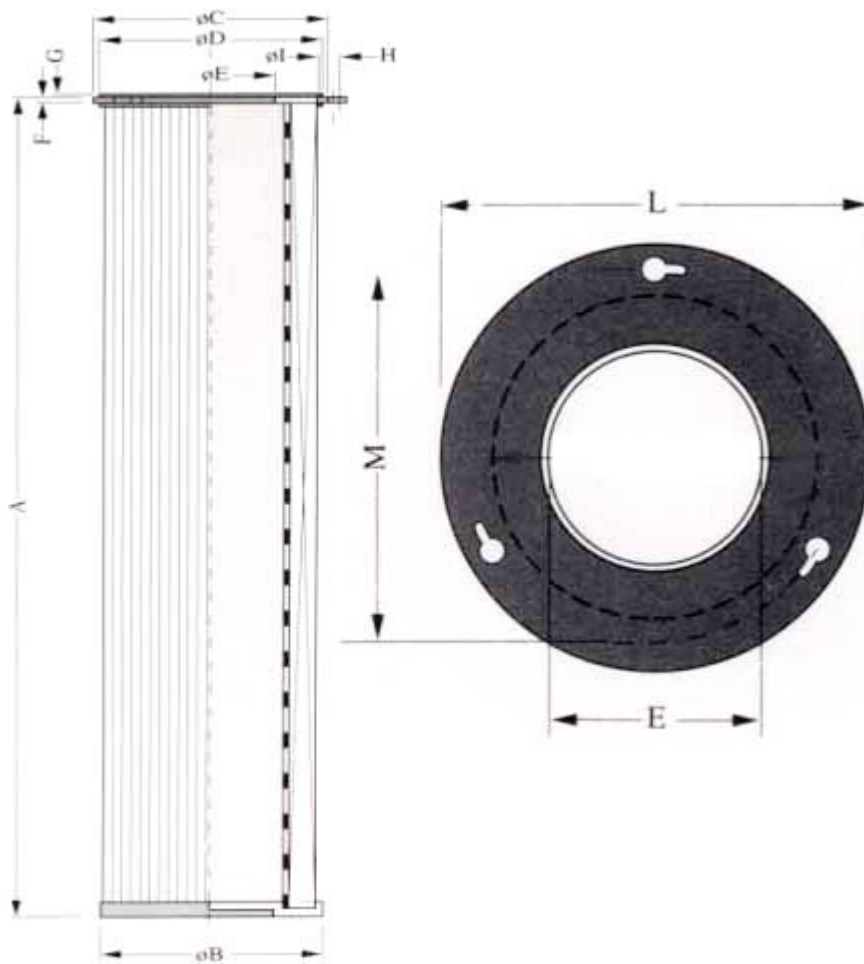


Type	Ø	A	B	C	D	E	F	H	I	K	L	m2	Pleat depth	Form No
1	196	500	156	196	180	85	15	*	*	180	196	1,8	28 mm	
2	196	800	156	196	180	85	15	*	*	180	196	2,9	28 mm	
3	196	1000	156	196	180	85	15	*	*	180	196	3,6	28 mm	
4	196	1200	156	196	180	85	15	*	*	180	196	4,3	28 mm	
5	196	1400	156	196	180	85	15	*	*	180	196	5,0	28 mm	



ECOFIL Pleat Poly Filter (Type 2)

Ecofil Pleat Poly Filter cartridges are adapted to suit the filtration application in question and are used in many different applications (pharmaceutical, fume, blasting, grinding, powder etc.) Ecofil Pleat Poly Filters have the following advantages.

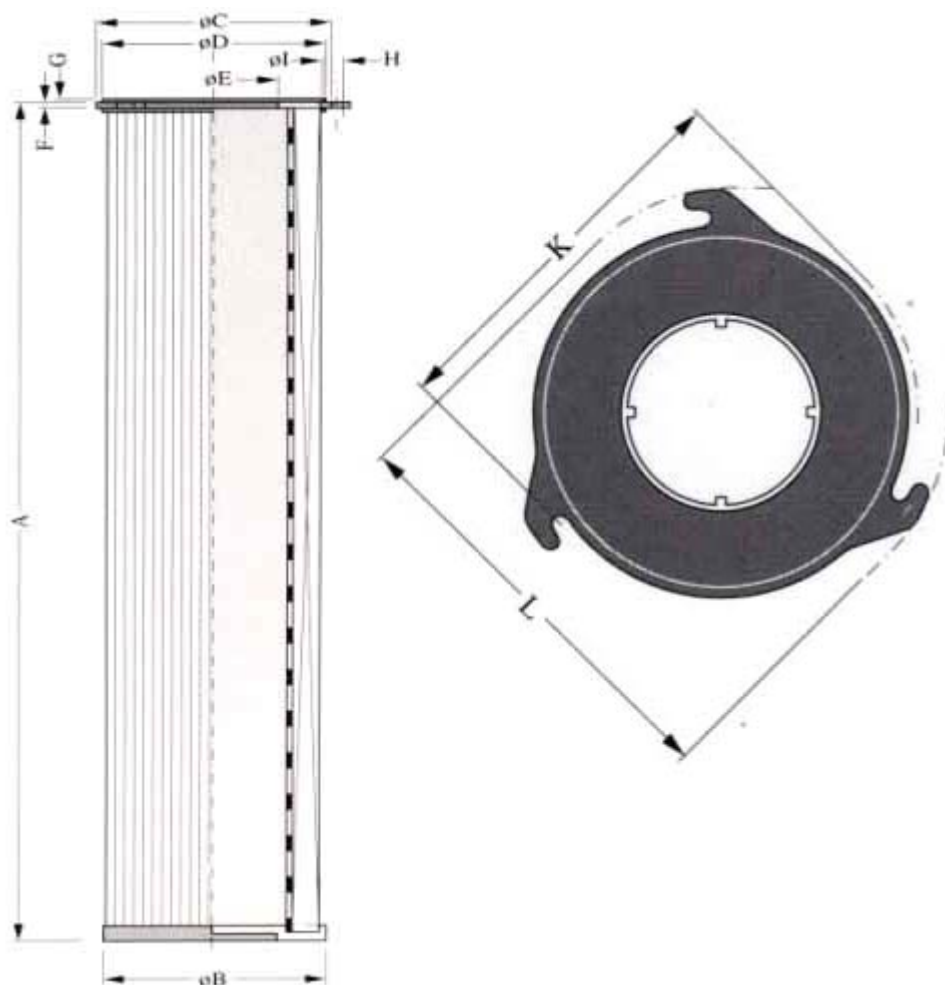


Type	Ø	A	B	C	D	E	F	G	H	I	K	L	M	m2	Pleat depth	Form No
1	145	1000	145	212	127	84	15	12	*	*	127	212	180	3,8	21 mm	
2	145	1200	145	212	127	84	15	12	*	*	127	212	180	4,4	21 mm	



ECOFIL Pleat Poly Filter (Type 3)

Ecofil Pleat Poly Filter cartridges are adapted to suit the filtration application in question and are used in many different applications (pharmaceutical, fume, blasting, grinding, powder etc.) Ecofil Pleat Poly Filters have the following advantages.

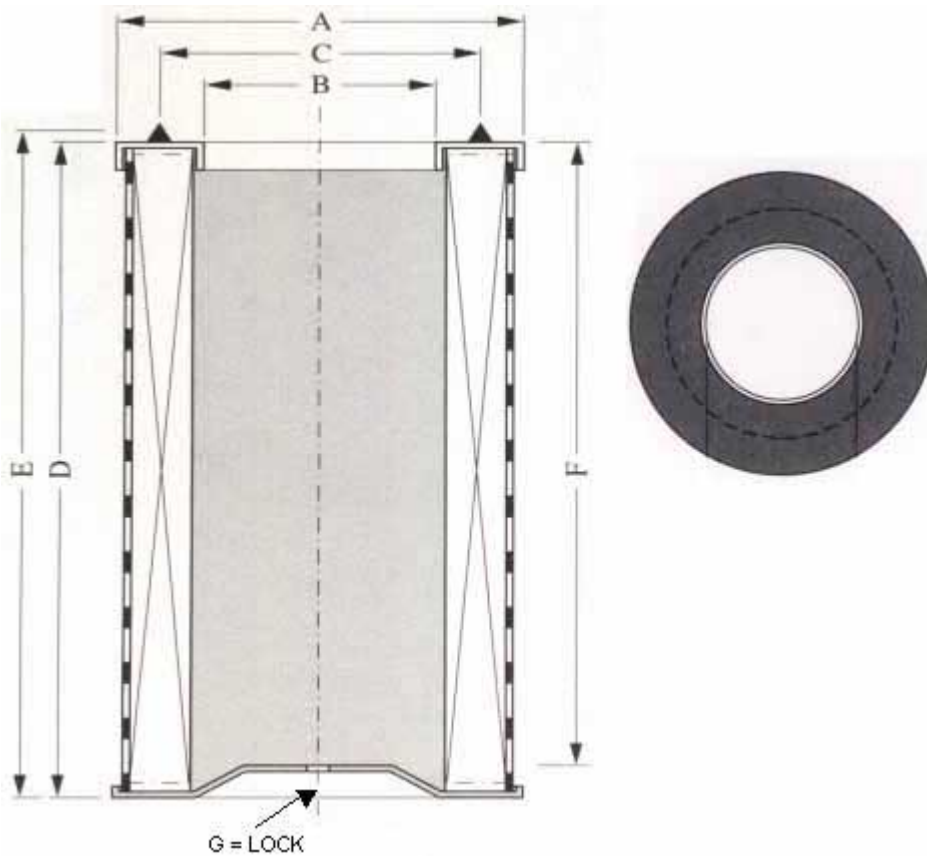


Type	Ø	A	B	C	D	E	F	G	H	I	K	L	m2	Pleat depth
1	145	1000	145	161	127	84	15	6	*	*	180	212	3,8	21 mm
2	145	1200	145	161	127	84	15	6	*	*	180	212	4,4	21 mm
3	150	1000	156	185	174	85	13	6	*	*	205	224	3,5	26 mm
4	150	1200	156	185	174	85	13	6	*	*	205	224	5,0	26 mm
5	225	1000	216	245	235	143	13	6	*	*	265	294	5,0	26 mm
6	225	1200	216	245	235	143	13	6	*	*	265	294	6,0	26 mm



ECOFIL Environmental Filter (Type Din)

Ecofil Pleat Environmental Filter cartridges feature a unique filter design, for dust collection and for gas turbine air intake filters. The filter cartridges is made of non-abrasive material, which gives the filter the advantage of being suitable for many different abrasive environments without problems.

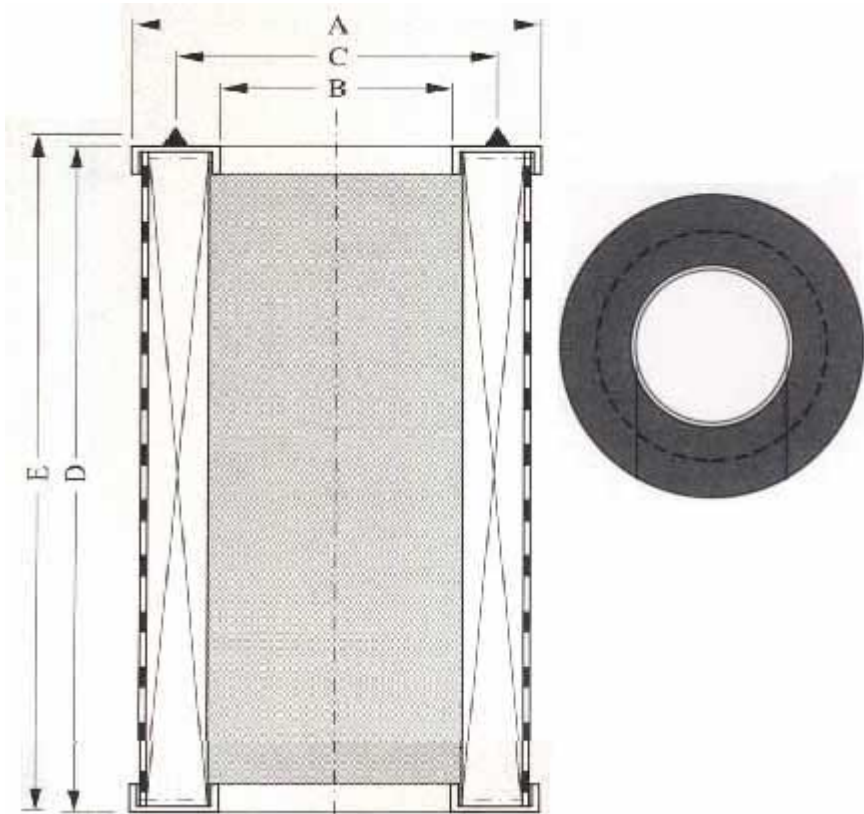


Type	Ø	A	B	C	D	E	F	G	Pleat depth
1	325	325	216	265	300 - 1400	D + 15	D-39	13	48
2	351	351	241	296	300 - 1400	D + 15	D-39	13 / 17	48



ECOFIL Environmental Filter (Type Open)

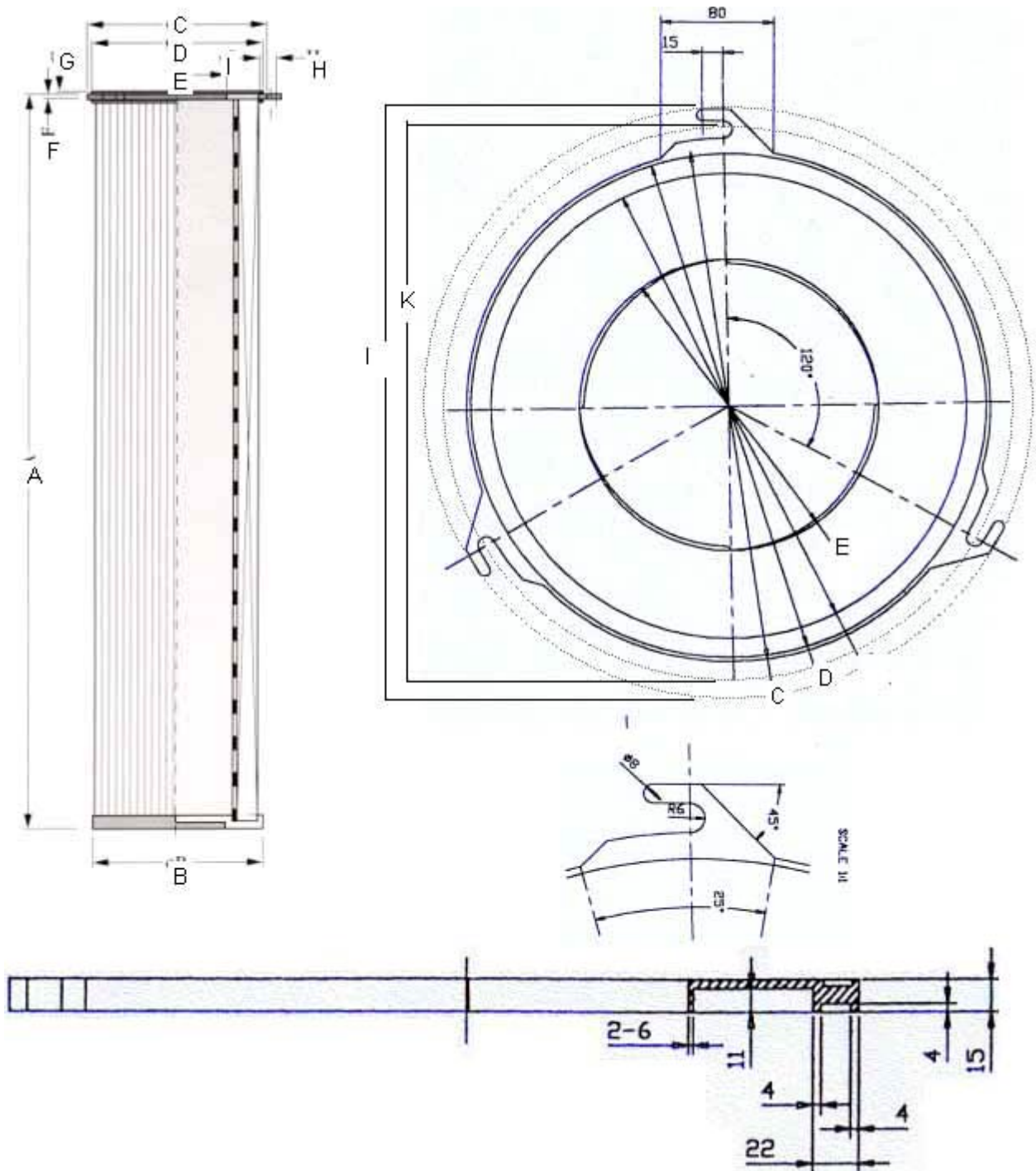
Ecofil Pleat Environmental Filter cartridges feature a unique filter design, for dust collection and for gas turbine air intake filters. The filter cartridges is made of non-abrasive material, which gives the filter the advantage of being suitable for many different abrasive environments without problems.



Type	Ø	A	B	C	D	E	Pleat depth
1	321	321	223	275	637 Delbag	D + 10 (5*12)	48
2	325	325	216	265	300 - 1400	D + 15	48
3	351	351	241	296	300 - 1400	D + 15	48

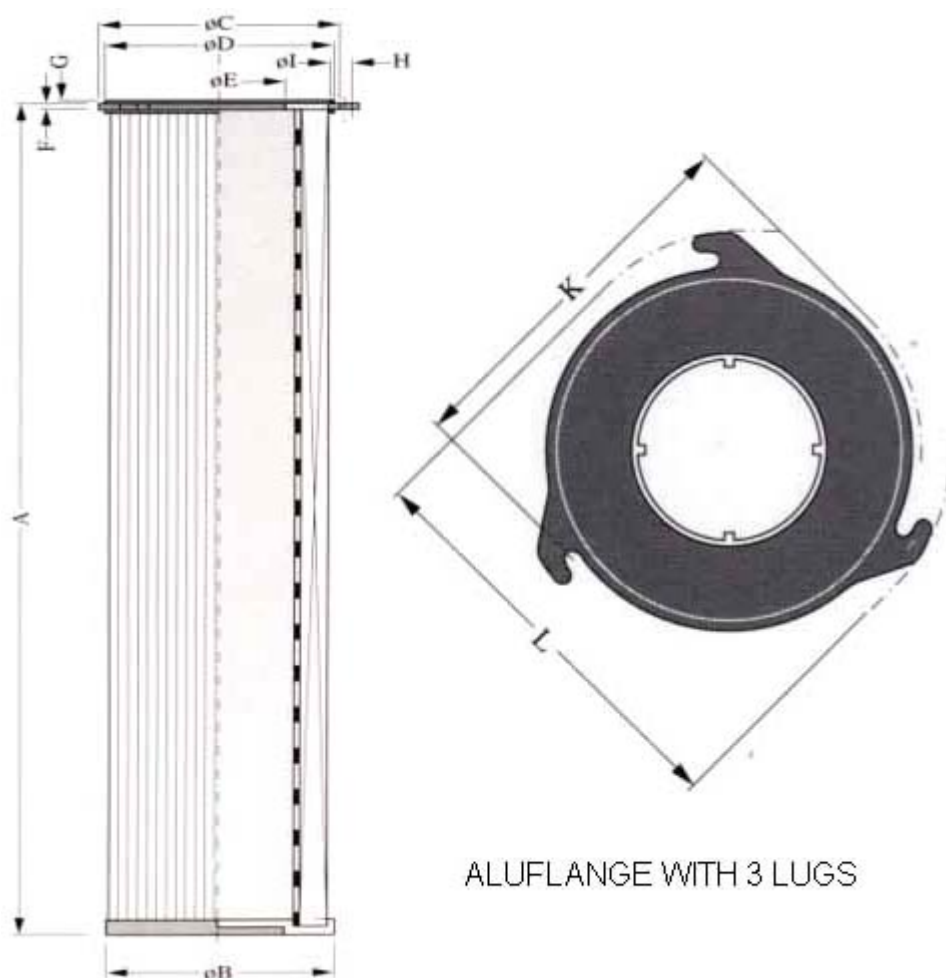
Ecofil Pleat Standard Filter.....(Type F4)

Ecofil Pleat Standard Filter cartridges are adapted to suit the filtration application in question, and are used in many different applications (pharmaceutical, fume, blasting, grinding, pneumatic conveying etc.) Ecofil Pleat Standard cartridges have the following advantages.



Type	Ø	A	B	C	D	E	F	G	H	I	K	L	Pleat depth	M2
1	325F4	660	323	370	362	210	15	6	11	6	397	434	48	10~13
2	325F4	800	323	370	362	210	15	6	11	6	397	434	48	10~14
3	325F4	1000	323	370	362	210	15	6	11	6	397	434	48	10~16
4	325F4	1200	323	370	362	210	15	6	11	6	397	434	48	10~17
5	325F4	1400	323	370	362	210	15	6	11	6	397	434	48	13~18

Ecofil Pleat Standard Filter cartridges are adapted to suit the filtration application in question, and are used in many different applications (pharmaceutical, fume, blasting, grinding, pneumatic conveying etc.) Ecofil Pleat Standard cartridges have the following advantages.



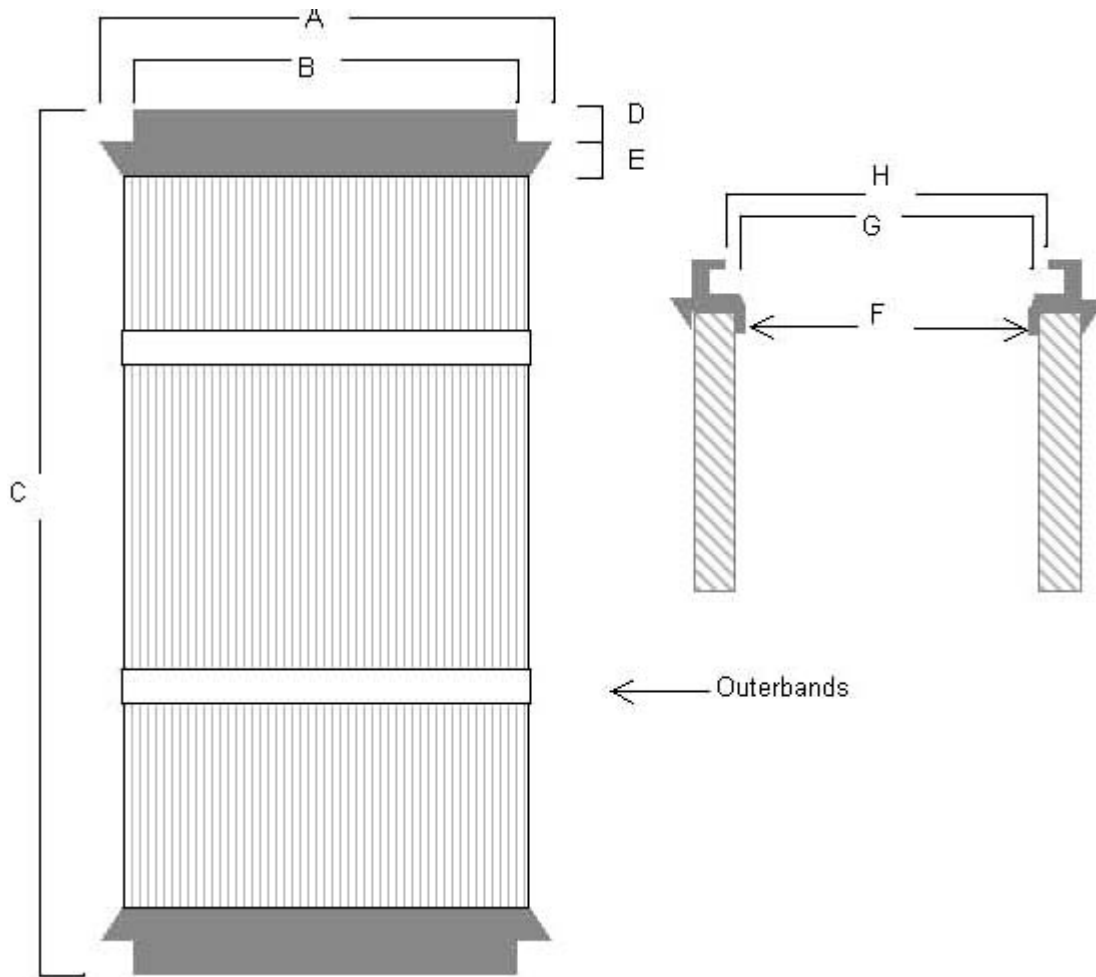
ALUFLANGE WITH 3 LUGS

Type	Ø	A	B	C	D	E	F	G	H	I	K	L	Pleat depth	M2
1	150	500	156	185	174	85	13	6	11	6	205	224	28	2~4
2	150	1000	156	185	174	85	13	6	11	6	205	224	28	3,3~6
3	225	500	216	245	235	143	13	6	11	6	265	294	28	2,5~4
4	225	1000	216	245	235	143	13	6	11	6	265	294	28	5~7
5	225	1400	216	245	235	143	13	6	11	6	265	294	28	6~8

ECOFIL Pleat Replacement Filter.....(Type TS)

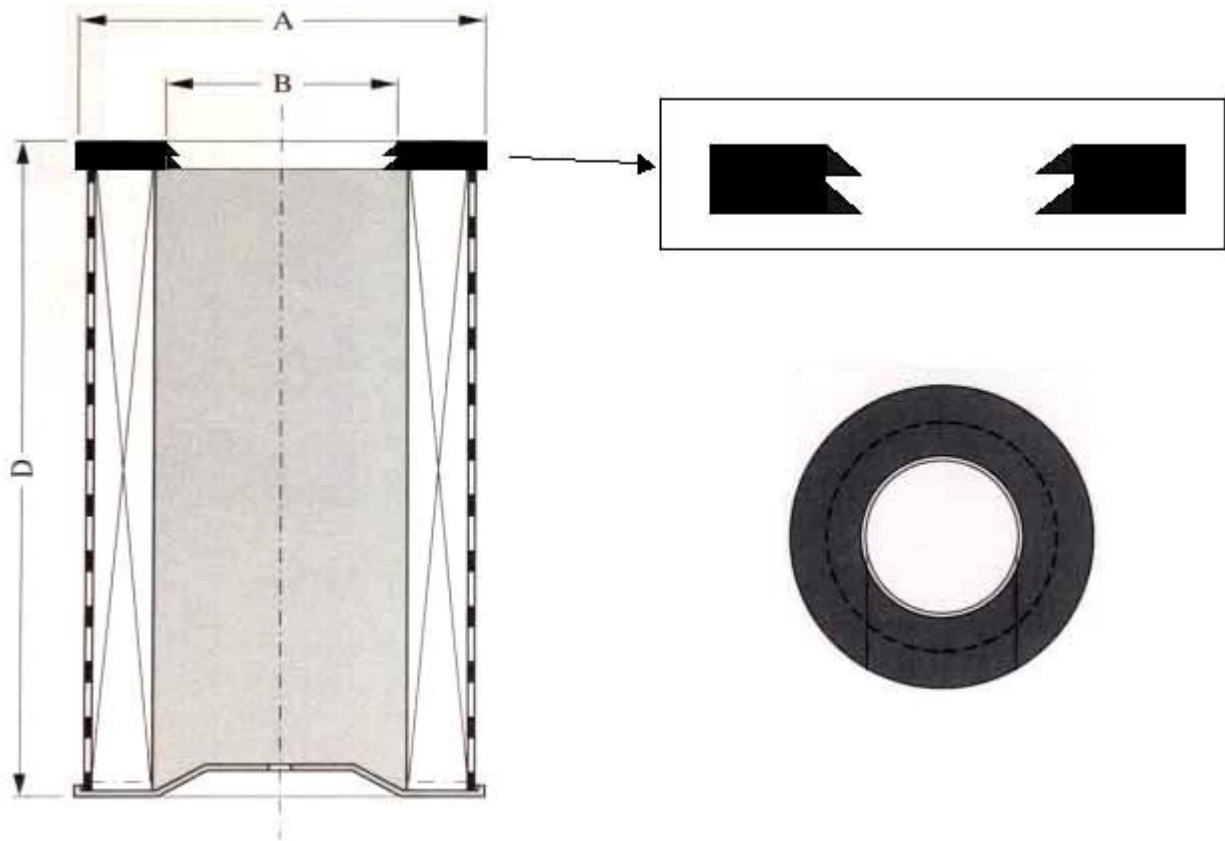
Ecofil Pleat Replacement filters are pleated filter elements that can be used to replace many different types of filter elements an alternative competitive filter. Ecotip PLeat filters are produced in many different diameters and lengths. They are available with threaded flanges while other have a snap fixing rubber flange.

Type	Ø	A	B	C	D	E	F	G	H	Pleat depth	M2	Form No
1	120	127	108	200-1000	15	11	73	85	96	18	0,2-1,2	



ECOFIL Pleat Replacement Filter.....(Type Steckaufnahme)

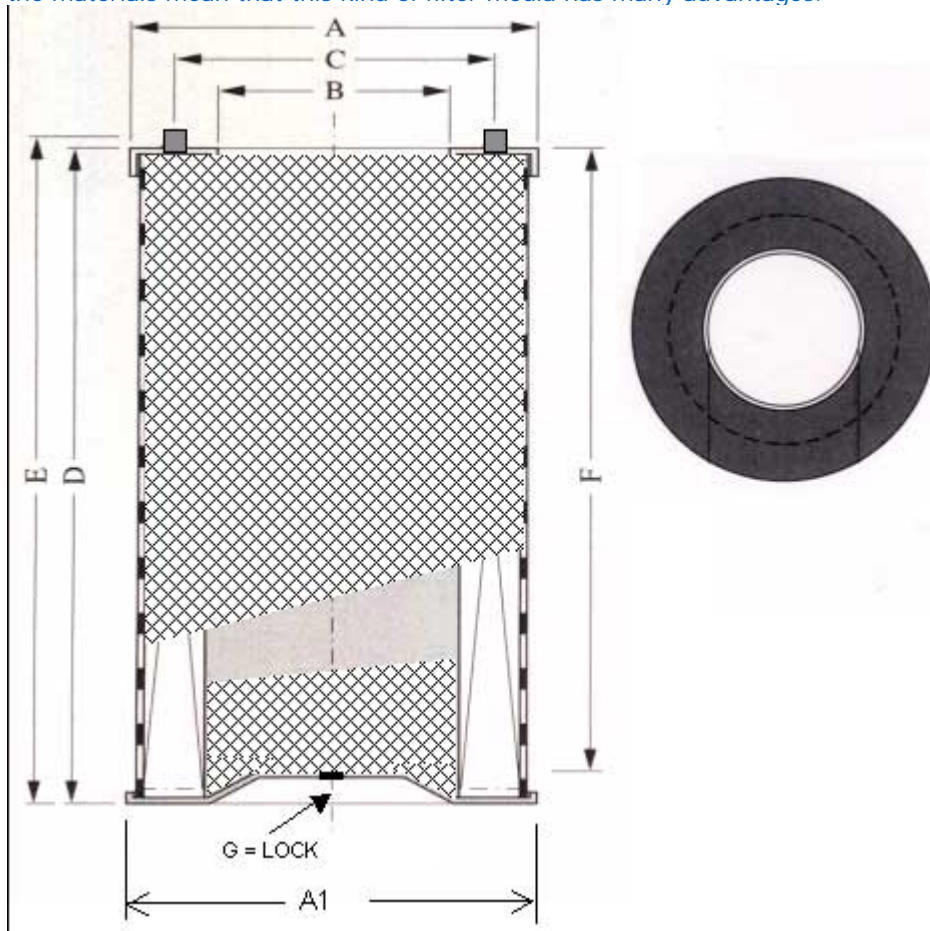
ECOFIL Pleat Replacement Filters are pleated filter elements that can be used to replace many different types of filter elements an alternative competitive filter. Ecofil PLeat filters are produced in many different diameters and lengths. They are available with threaded flanges while other have a snap fixing rubber flange.



Type	Ø	A	B	D	Pleat Depth	Form No
1	120	120	82	300-1400	22	
2	127	137	80	300-1400	22	
3	137	137	82	300-1400	18	
4	150	150	95	300-1400	26	
5	227	227	140	300-1400	28	
6	327	327	210	300-1400	48	

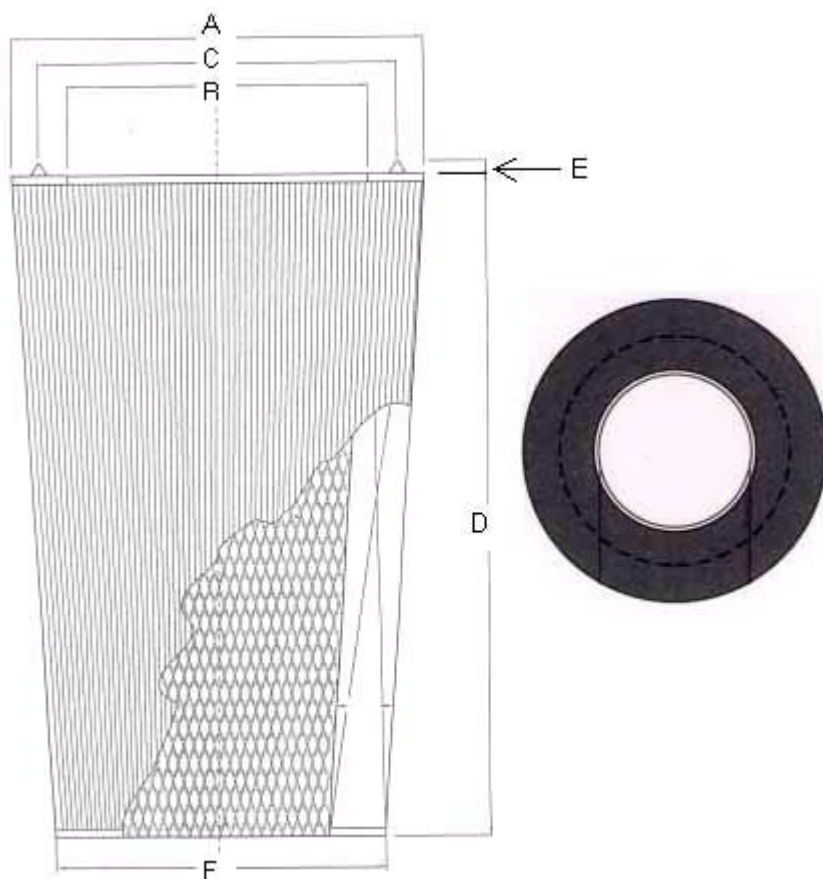
325 x 700 mm (Din)

ECOFIL Air Intake cartridges for gas turbines are modern and reliable. They ensure high efficient filtration of dust and other contaminants even in the most polluted environments. The cartridges manufactured by Ecofil are made from various kinds of filter media. The variety and range of materials make it possible to find suitable filter media for any environmental conditions. At the same time, the quality of the materials used ensures high performance standards. More over, the physical and chemical features of the materials mean that this kind of filter media has many advantages.



ECOFIL Pleat Din Filter (Conical)

Ecofil Pleat Din Filters are pleated filters which are available in various diameters, produced as cylindrical or conical filters. Ecofil Pleat Din Filters can be installed from the dirty side (Din) or from the clean side (Top Removal Din Filter), Ecofil Pleat Din Filters are used in many different applications (pharmaceutical, fume, blasting, grinding, powder etc.) and have the following advantages.



Type	A	B	C	D	E	F	Pleat depth	M2
1	325	216	265	300 - 1400	15	216	48	*
2	445	335	390	300 - 1400	15	325	48	*
3	570	460	515	300 - 1400	15	445	48	

Venturi /Cleaning wings

